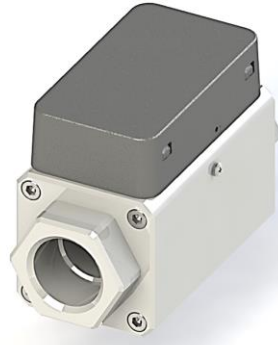


## Data Sheet: DXF0001, DXF0002 Dexen Industries Gas Flow Meter

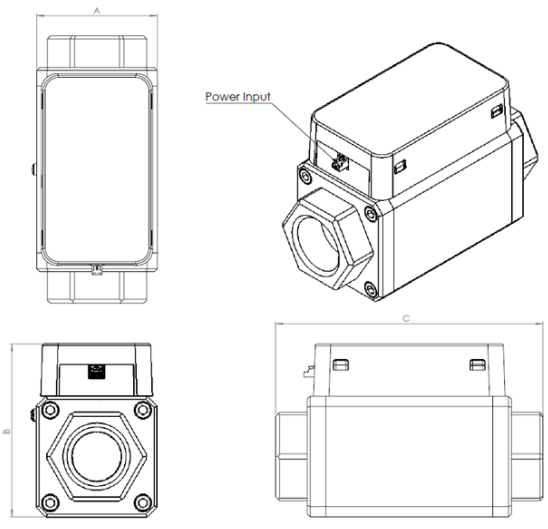
### Product Summary:

Bluetooth enabled inline digital gas flow meter developed for residential and industries natural gas smart metering applications. Features a thermal mass flow sensor element that is pressure independent and temperature compensated with automatic gas quality compensation.

**Class I Division I Gr. A, B, C, and D T4**  
**Intrinsically safe when connected as per drawing DXF\_LOC\_A and DXF\_LOC\_BI.**



### Configuration:

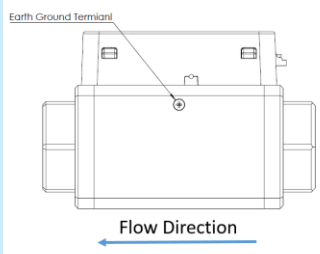


Model #	Configuration	Flow Range LPM (CFM)	Power Range KBtu/hr (KW)	A - inch (mm)	B - inch (mm)	C - inch (mm)
DXF001	1/2" NPT	0.5 to 67 (0.018 to 2.36)	1.1 to 146 (0.33 to 42.8)	2.36 (60)	3.36 (86)	5.24 (133)
DXF002	1" NPT	0.7 to 100 (0.025 to 3.53)	1.5 to 218 (0.45 to 64.0)	2.36 (60)	3.36 (86)	5.24 (133)

### Installation:

- Inline Pipe installation. Do not use Liquid or paste type thread sealer. Only use PTFE tape type sealer
- Connect earth ground terminal from appliance to flow meter ground earth terminal. (M3 x 0.5)

\*\*Enclosure is manufactured from 6061 alloy. In rare cases, ignition sources due to impact and friction sparks could occur.



### Specification:

Parameter	Description	Value	Unit
Temperature	Operating Temperature	-20 to 60	°C
Humidity	Operating Humidity of the medium in the gas meter when medium is natural gas	0 - 40	%
Pressure	Operating Pressure	0 to 1	psig
Initial Accuracy	F.S. Flow Range	± 5.0	%
Power	Operating Voltage	3.3	VDC
IS Barrier	Maximum Input Voltage Ui	5.4	VDC
	Maximum Input Current Ii	3.3	A
	Maximum Input Power Pi	1.2	W
	Maximum Internal Capacitance Ci	0	F
	Maximum Internal Inductance Li	0	H
	Entity Parameter J3 Um	5.5	VDC
Battery	Saft, LS33600C, lithium, UL recognized, Nominal Voltage	3.6	VDC
Material	Body - Aluminium	-	-
	PCB Enclosure - ABS	-	-

### Application:

- Gas Fire Central Furnace
- Pool Heater
- Outdoor BBQ Unit
- Tankless Water Heater
- Storage Tank Water Heater
- Cooking appliances
- Small Industrial Equipment

### Application w/Dexen Telemetry Module:

- Gas Consumption
- Leak Detection
- Gas Usage Trend
- Safety Feature Addition